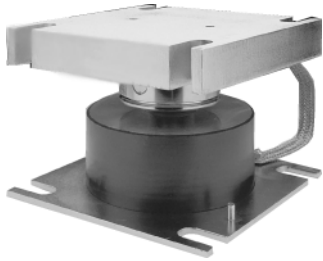


10 Tonne Weighbridge Mount



FEATURES

- For use on steel or concrete weighbridges
- Above ground or pit mounted
- Composite rubber and plated steel construction
- Low profile
- Simple installation
- Shock resistance

DESCRIPTION

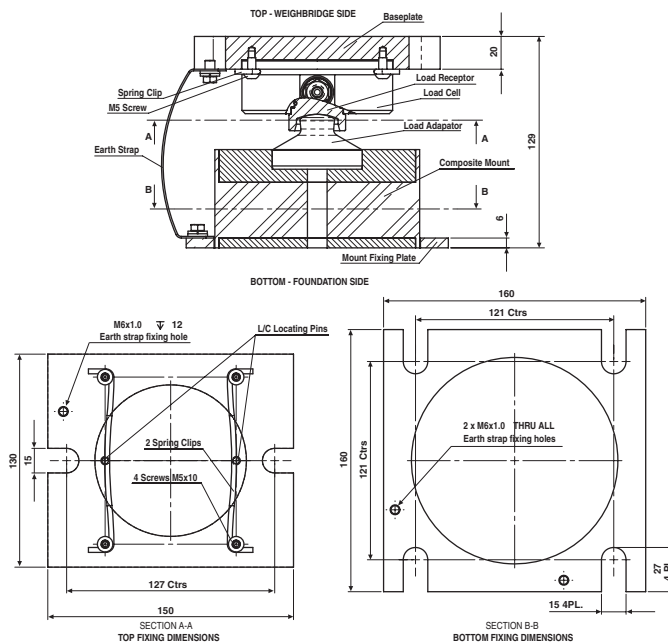
Model 220 is ideally suited for use in steel or concrete weighbridge applications. When used in conjunction with the composite mount it forms a compact assembly which is rugged and tolerant of heavy treatment.

The mount assembly allows free motion in any direction in the

horizontal plane at the same time as supplying restoring moment (return to centre motion) and retaining low vertical deflection. It supplies the required rigidity whilst retaining shock absorption capability. It exhibits low effects to changes of temperature and allows for thermal expansion of the bridge structure.

The complicated arrangements that often accompany conventional installations of load cell mountings are avoided. Tedea-Huntleigh's system for truck scales can be installed in a matter of a few hours instead of more than one day.

OUTLINE DIMENSIONS in mm



MTS-COMP-10T

Comprising composite mount, load adaptor, mount fixing plate, earth strap, nut and washers.
Packed weight; 5kg.

MTS-BKIT-10T-CS

Comprising baseplate, location pins x 2, spring clips x 2, M5 screws x 4, screw & washers for earth strap.
Packed weight; 5kg

1. To ensure safe use of the weighbridge mount; Restraints should be fitted between the weighbridge deck and foundation.
2. Tedea-Huntleigh cannot accept responsibility for the improper installation of the weighbridge mount.
3. Because of the weight of the base plate and consequent freight costs, customers might wish to machine it locally. Manufacturing details of this simple plate are available free of charge on request.

Tedea-Huntleigh provide installation details separately, please refer to Technical Support Document, TSD.0007

Disclaimer

ALL PRODUCTS, PRODUCT SPECIFICATIONS AND DATA ARE SUBJECT TO CHANGE WITHOUT NOTICE.

Vishay Precision Group, Inc., its affiliates, agents, and employees, and all persons acting on its or their behalf (collectively, "Vishay Precision Group"), disclaim any and all liability for any errors, inaccuracies or incompleteness contained herein or in any other disclosure relating to any product.

The product specifications do not expand or otherwise modify Vishay Precision Group's terms and conditions of purchase, including but not limited to, the warranty expressed therein.

Vishay Precision Group makes no warranty, representation or guarantee other than as set forth in the terms and conditions of purchase. **To the maximum extent permitted by applicable law, Vishay Precision Group disclaims (i) any and all liability arising out of the application or use of any product, (ii) any and all liability, including without limitation special, consequential or incidental damages, and (iii) any and all implied warranties, including warranties of fitness for particular purpose, non-infringement and merchantability.**

Information provided in datasheets and/or specifications may vary from actual results in different applications and performance may vary over time. Statements regarding the suitability of products for certain types of applications are based on Vishay Precision Group's knowledge of typical requirements that are often placed on Vishay Precision Group products. It is the customer's responsibility to validate that a particular product with the properties described in the product specification is suitable for use in a particular application.

No license, express, implied, or otherwise, to any intellectual property rights is granted by this document, or by any conduct of Vishay Precision Group.

The products shown herein are not designed for use in life-saving or life-sustaining applications unless otherwise expressly indicated. Customers using or selling Vishay Precision Group products not expressly indicated for use in such applications do so entirely at their own risk and agree to fully indemnify Vishay Precision Group for any damages arising or resulting from such use or sale. Please contact authorized Vishay Precision Group personnel to obtain written terms and conditions regarding products designed for such applications.

Product names and markings noted herein may be trademarks of their respective owners.