

Low Profile Single-Point Load Cell

FEATURES

- Capacities: 2–15 kg
- Aluminum construction
- Single-point 350 x 350 mm platform
- OIML R60
- IP65 protection
- Available with UNC threads
- **Optional**
 - FM approval available
 - IP67 protection available



APPLICATIONS

- Bench scales
- Counting scales
- Grocery scales

DESCRIPTION

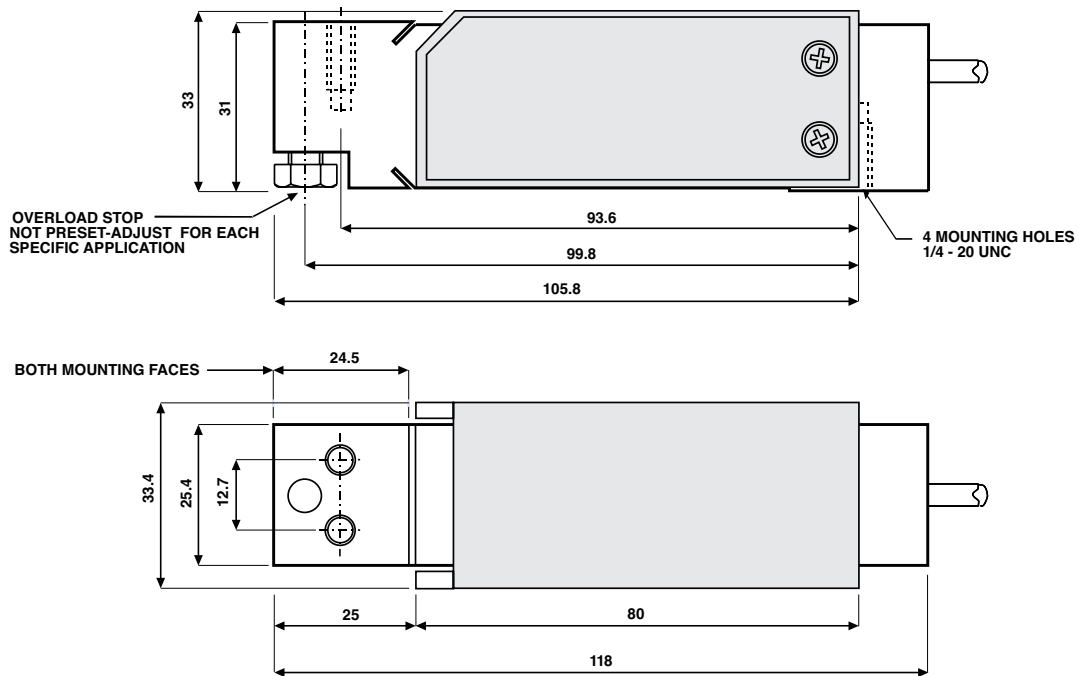
Model 1030 is a single-point load cell designed for direct mounting of low cost, low capacity weighing platforms.

Its use in relatively large platforms, combined with high accuracy and low cost, makes this load cell ideally suited for a wide range of weighing applications, including bench scales, laboratory, money counting and process weighing.

A special humidity resistant protective coating is available as an option which assures long-term reliability. Model 1030's built in overload stop can provide mechanical protection against overloading.

The two additional sense wires feed back the voltage reaching the load cell. Complete compensation of changes in lead resistance due to temperature change and/or cable extension, is achieved by feeding this voltage into the appropriate electronics.

OUTLINE DIMENSIONS in millimeters



Low Profile Single-Point Load Cell

SPECIFICATIONS			
PARAMETER	VALUE ⁽¹⁾		UNIT
OIML accuracy class	Non-Approved	C2.5	
Maximum no. of intervals (n)	1000	2500	
Y = E _{max} /V _{min}	3333	7000	
Rated output—R.C. (E _{max})	2 ⁽²⁾ , 3, 5, 7, 10, 15		kg
Rated output—R.O.	2.0		mV/V
Rated output tolerance	0.2		±mV/V
Zero balance	0.2		±mV/V
Zero return, 30 min.	0.0500	0.0170	±% of applied load
Total error	0.0300	0.0200	±% of rated output
Temperature effect on zero	0.0100	0.0040	±% of rated output/°C
Temperature effect on output	0.0030	0.0010	±% of applied load/°C
Eccentric loading error	0.0085	0.0057	±% of rated load/cm
Temp. range, compensated	-10 to +40		°C
Temp. range, safe	-30 to +70		°C
Maximum safe central overload	150		% of R.C.
Ultimate central overload	300		% of R.C.
Excitation, recommended	10		VDC or VAC RMS
Excitation, maximum	15		VDC or VAC RMS
Input impedance	415±15		Ω
Output impedance	350±3		Ω
Insulation resistance	>5000		MΩ
Cable length	1.0		m
Cable type	4 wire, PVC, single floating screen		Standard
Construction	Anodized aluminum		
Environmental protection	IP65 ⁽³⁾		
Platform size (max)	350 x 350		mm
Recommended torque	7.0		N*m

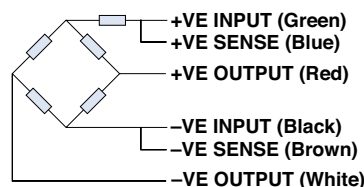
⁽¹⁾ 1030 is a non-balanced bridge load cell

⁽²⁾ 2 kg is not OIML approved

⁽³⁾ IP67 available upon request

All specifications subject to change without notice.

WIRING SCHEMATIC DIAGRAM
(Unbalanced bridge configuration)





Disclaimer

ALL PRODUCTS, PRODUCT SPECIFICATIONS AND DATA ARE SUBJECT TO CHANGE WITHOUT NOTICE.

Vishay Precision Group, Inc., its affiliates, agents, and employees, and all persons acting on its or their behalf (collectively, "VPG"), disclaim any and all liability for any errors, inaccuracies or incompleteness contained herein or in any other disclosure relating to any product.

The product specifications do not expand or otherwise modify VPG's terms and conditions of purchase, including but not limited to, the warranty expressed therein.

VPG makes no warranty, representation or guarantee other than as set forth in the terms and conditions of purchase. **To the maximum extent permitted by applicable law, VPG disclaims (i) any and all liability arising out of the application or use of any product, (ii) any and all liability, including without limitation special, consequential or incidental damages, and (iii) any and all implied warranties, including warranties of fitness for particular purpose, non-infringement and merchantability.**

Information provided in datasheets and/or specifications may vary from actual results in different applications and performance may vary over time. Statements regarding the suitability of products for certain types of applications are based on VPG's knowledge of typical requirements that are often placed on VPG products. It is the customer's responsibility to validate that a particular product with the properties described in the product specification is suitable for use in a particular application. You should ensure you have the current version of the relevant information by contacting VPG prior to performing installation or use of the product, such as on our website at vpgsensors.com.

No license, express, implied, or otherwise, to any intellectual property rights is granted by this document, or by any conduct of VPG.

The products shown herein are not designed for use in life-saving or life-sustaining applications unless otherwise expressly indicated. Customers using or selling VPG products not expressly indicated for use in such applications do so entirely at their own risk and agree to fully indemnify VPG for any damages arising or resulting from such use or sale. Please contact authorized VPG personnel to obtain written terms and conditions regarding products designed for such applications.

Product names and markings noted herein may be trademarks of their respective owners.

Copyright Vishay Precision Group, Inc., 2014. All rights reserved.