

Tuffer Weigh-in-Motion



FEATURES

- High accuracy weigh-in-motion scale
- Increases loading efficiency and profitability
- User friendly menu driven format
- Displays bucket weight, truck weight and cumulative totals
- 10 cumulative totals in memory
- Up to 4 uniquely specific calibrations can be stored in the meter
- On-screen user prompts
- Large easy to read LCD
- Quick-tip will allow release of material when overloaded

OPTIONS

- Printer

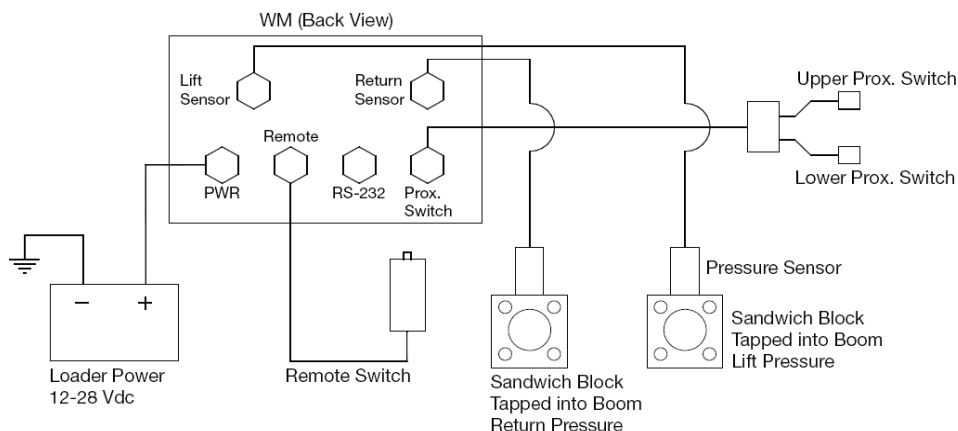
DESCRIPTION

The Tuffer Weigh-in-Motion scale offers high accuracy weight readings at the point of loading while loading vehicles. The Tuffer system operates on any brand and size of bucket loader. The system incorporates two external hydraulic sensors. These sensors measure the change in the hydraulic lift pressure, which is directly proportional to the load lifted, and converts it to a digital readout in the meter mounted in the cab of the loader. The Tuffer scale meter displays the individual lift weights and cumulative totals by material and customer number. The Tuffer Weigh-in-Motion scale is also equipped with a tip-off function, making it faster and easier to get the correct loaded weight the first time.

APPLICATIONS

- Quarries
- Docks
- Mining
- Rail car loading
- Solid waste transfer stations
- Batching operations
- Agricultural operations
- Hazardous waste sites
- Landscaping materials
- Decorative rock yards

SYSTEM BLOCK DIAGRAM



Tuffer Weigh-in-Motion System

SI Onboard



Tuffer Weigh-in-Motion

SPECIFICATIONS	
PARAMETERS	DESCRIPTION
Accuracy	2%
Capacity (GVW)	Unlimited
Number of pressure sensors	2
Number proximity sensors	2
Loader Types	All loaders with isolated hydraulics for the lift cylinder
METER	
Screen Type	Dot matrix LCD
Format	Menu driven with hard and soft keys
Size	8.5" L x 3.8" D x 5.4" H;
Weighing Units	Pounds, kilograms, tons, metric tonnes
Meter operating voltage	12 to 28 Vdc
Meter operating temperature	0 °F to 120 °F
Communications	RS232
Memory	10 programmable cumulative memory locations
PRESSURE SENSORS	
Pressure Capacity	25,000 psi minimum burst pressure
Type	Strain gauge pressure transducers
Material	Stainless steel
HYDRAULIC HOSE	
Length	10 ft
Pressure Capacity	23,000 psi minimum burst pressure



Disclaimer

ALL PRODUCTS, PRODUCT SPECIFICATIONS AND DATA ARE SUBJECT TO CHANGE WITHOUT NOTICE.

Vishay Precision Group, Inc., its affiliates, agents, and employees, and all persons acting on its or their behalf (collectively, "VPG"), disclaim any and all liability for any errors, inaccuracies or incompleteness contained herein or in any other disclosure relating to any product.

The product specifications do not expand or otherwise modify VPG's terms and conditions of purchase, including but not limited to, the warranty expressed therein.

VPG makes no warranty, representation or guarantee other than as set forth in the terms and conditions of purchase. **To the maximum extent permitted by applicable law, VPG disclaims (i) any and all liability arising out of the application or use of any product, (ii) any and all liability, including without limitation special, consequential or incidental damages, and (iii) any and all implied warranties, including warranties of fitness for particular purpose, non-infringement and merchantability.**

Information provided in datasheets and/or specifications may vary from actual results in different applications and performance may vary over time. Statements regarding the suitability of products for certain types of applications are based on VPG's knowledge of typical requirements that are often placed on VPG products. It is the customer's responsibility to validate that a particular product with the properties described in the product specification is suitable for use in a particular application. You should ensure you have the current version of the relevant information by contacting VPG prior to performing installation or use of the product, such as on our website at vpgsensors.com.

No license, express, implied, or otherwise, to any intellectual property rights is granted by this document, or by any conduct of VPG.

The products shown herein are not designed for use in life-saving or life-sustaining applications unless otherwise expressly indicated. Customers using or selling VPG products not expressly indicated for use in such applications do so entirely at their own risk and agree to fully indemnify VPG for any damages arising or resulting from such use or sale. Please contact authorized VPG personnel to obtain written terms and conditions regarding products designed for such applications.

Product names and markings noted herein may be trademarks of their respective owners.

Copyright Vishay Precision Group, Inc., 2014. All rights reserved.