

S-Type Load Cell

FEATURES

- Capacities:
 - Aluminum construction—5, 10, 20 kg;
 - Alloy Steel construction— 25 to 5000 kg, 250 to 40k lbs
- Bi-direction (tension/compression)
- Rationalized output
- NTEP Class III 5000S, IIL10000 approval from 250 lbs to 20k lbs
- **Optional**
 - Stainless steel available
 - FM approval available
 - EDOC option available



APPLICATIONS

- Electro-mechanical conversion scales
- Silo/hopper/tank weighing
- Crane scales
- Fork-lift scales
- Dosing/filling
- Universal material tester
- Tensile/pulling force measurement

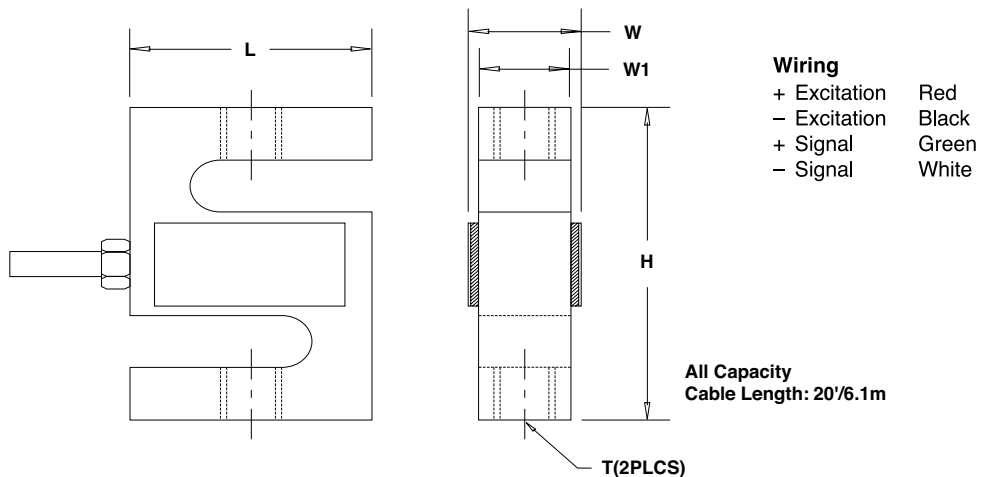


DESCRIPTION

The S-type load cell, as the name indicates, can be easily identified by S-shaped body. They can be loaded either in tension or compression, and used for single or multiple-cell application if the output is rationalized.

STC is made of Aluminum, Alloy Steel or Stainless Steel, sealed to IP67 providing excellent protection against moisture and humidity.

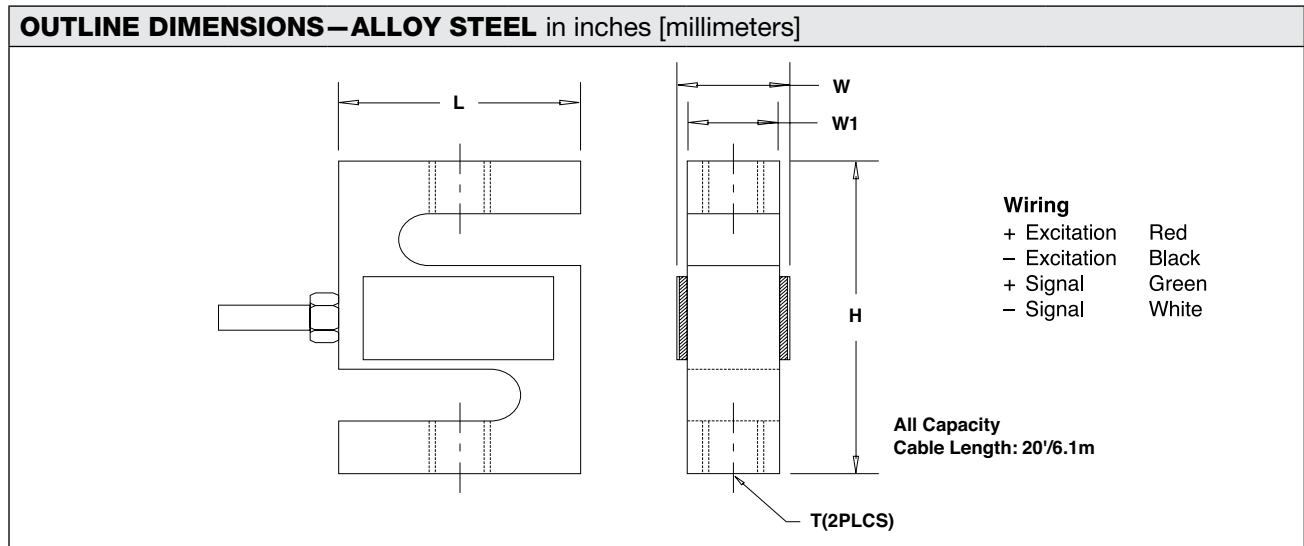
OUTLINE DIMENSIONS—ALUMINUM in inches (millimeters)



CAPACITY		L	W	W ₁	H	T
5 / 10 / 20 kg	mm	50.8	16.6	16.6	63.5	M6 x 1.0
	(inch)	0.65	1.05	0.65	2.50	

Outline dimension for Alloy Steel supplied on next page

S-Type Load Cell



CAPACITY		L	W	W ₁	H	T
25 / 50 / 75 kg	mm	50.8	26.7	12.7	63.5	M6 x 1.0
	(inch)	2.00	1.05	0.50	2.50	
100 / 150 kg	mm	50.8	22.92	19.1	76.2	M10 x 1.5
	(inch)	2.00	0.9	0.75	3.00	
250 / 300 lbs	mm	50.8	26.7	12.7	76.2	3/8-24UNF
	(inch)	2.00	1.05	0.50	3.00	
250 kg 500 / 750 lbs	mm	50.8	30.4	19.1	76.2	M12 x 1.75
	(inch)	2.00	1.2	0.75	3.00	
500 / 750 kg	mm	50.8	25.4	19.1	76.2	M12 x 1.75
	(inch)	2.00	1.00	0.75	3.00	
1k / 1.5k lbs	mm	50.8	26.1	19.1	76.2	1/2-20UNF
	(inch)	2.00	1.03	0.75	3.00	
1000 / 1500 kg 2k / 2.5k / 3k lbs	mm	50.8	31.8	25.4	76.2	M12 x 1.75
	(inch)	2.00	1.25	1.00	3.00	
5k / 7.5k lbs	mm	76.2	31.8	25.4	107.9	3/4-16UNF
	(inch)	3.00	1.25	1.00	4.25	
2000 / 2500 / 5000 kg	mm	76.2	38.1	31.8	100.4	M20 x 1.5
	(inch)	3.00	1.50	1.25	3.95	
10k lbs	mm	88.9	31.8	25.4	120.7	3/4-16UNF
	(inch)	3.50	1.25	1.00	4.75	
15k lbs	mm	101.6	38.1	31.8	139.7	1-14UNS
	(inch)	4	1.50	1.25	5.50	
20k lbs	mm	127	55.7	50.8	177.8	1 1/4-12UNF
	(inch)	5	2.19	2	7.00	
40k lbs	mm	152.4	69.9	63.5	254.0	1 1/2-12UNF
	(inch)	6.00	2.75	2.50	10.00	

S-Type Load Cell

SPECIFICATIONS			
PARAMETER	VALUE		UNIT
NTEP/OIML accuracy class	NTEP III & IIIL	Non-Approved	
Maximum no. of intervals (n)	III 5000 single* IIIL10000 single*	2000	
Y = E _{max} /V _{min}	10000	5000	Maximum available
Standard capacities (E _{max}) (Aluminum)	5, 10, 20		kg
Standard capacities (E _{max}) (Steel)	25, 50, 75, 100, 250, 500, 750, 1000, 1500, 2000, 2500, 5000		kg
	250, 300, 500, 750, 1k, 1.5k, 2k, 2.5k, 3k, 5k, 7.5k, 10k, 15k, 20k, 40k		lbs
Rated output—R.O. (Aluminum)	2.0		mV/V
Rated output—R.O. (Steel)	3.0		mV/V
Rated output tolerance	0.25		±% of rated output
Zero balance	1		±% of rated output
Non-linearity	0.020	0.020 (SS: 0.05)	±% of rated output
Hysteresis	0.020	0.020 (SS: 0.05)	±% of rated output
Non-repeatability	0.020		±% of rated output
Creep error (20 minutes)	0.030		±% of rated output
Zero return (20 minutes)	0.030		±% of rated output
Temperature effect on min. dead load output	0.0015	0.0026	±% of rated output/°C
Temperature effect on sensitivity	0.0010	0.0015	±% of applied load/°C
Compensated temperature range	-10 to +40		°C
Operating temperature range	-20 to +60		°C
Safe overload	150		% of R.C.
Ultimate overload	200 (Aluminum) / 300 (Steel)		% of R.C.
Excitation, recommended	10		VDC or VAC RMS
Excitation, maximum	15		VDC or VAC RMS
Input impedance	410±5 (Aluminum) / 385±5 (Steel)		Ω
Output impedance	350±3		Ω
Insulation resistance	>5000		MΩ
Construction	Aluminium or Nickel-plated alloy steel **		
Environmental protection	IP67		

* Capacities 250–20k lbs

** Stainless steel available

All specifications subject to change without notice.

FM Approval

Intrinsically Safe: Class I, II, III; Div. 1 Groups A-G

Non-Incendive: Class I; Div. 2 Groups A-D

Disclaimer

ALL PRODUCTS, PRODUCT SPECIFICATIONS AND DATA ARE SUBJECT TO CHANGE WITHOUT NOTICE.

Vishay Precision Group, Inc., its affiliates, agents, and employees, and all persons acting on its or their behalf (collectively, "VPG"), disclaim any and all liability for any errors, inaccuracies or incompleteness contained herein or in any other disclosure relating to any product.

The product specifications do not expand or otherwise modify VPG's terms and conditions of purchase, including but not limited to, the warranty expressed therein.

VPG makes no warranty, representation or guarantee other than as set forth in the terms and conditions of purchase. **To the maximum extent permitted by applicable law, VPG disclaims (i) any and all liability arising out of the application or use of any product, (ii) any and all liability, including without limitation special, consequential or incidental damages, and (iii) any and all implied warranties, including warranties of fitness for particular purpose, non-infringement and merchantability.**

Information provided in datasheets and/or specifications may vary from actual results in different applications and performance may vary over time. Statements regarding the suitability of products for certain types of applications are based on VPG's knowledge of typical requirements that are often placed on VPG products. It is the customer's responsibility to validate that a particular product with the properties described in the product specification is suitable for use in a particular application. You should ensure you have the current version of the relevant information by contacting VPG prior to performing installation or use of the product, such as on our website at vpgsensors.com.

No license, express, implied, or otherwise, to any intellectual property rights is granted by this document, or by any conduct of VPG.

The products shown herein are not designed for use in life-saving or life-sustaining applications unless otherwise expressly indicated. Customers using or selling VPG products not expressly indicated for use in such applications do so entirely at their own risk and agree to fully indemnify VPG for any damages arising or resulting from such use or sale. Please contact authorized VPG personnel to obtain written terms and conditions regarding products designed for such applications.

Product names and markings noted herein may be trademarks of their respective owners.

Copyright Vishay Precision Group, Inc., 2014. All rights reserved.