

## Low Profile Compression Disk



### FEATURES

- Capacities: 5K, 10K, 25K, 50K, 100Klb
- Electroless nickel plated alloy tool steel
- Compact size with low profile
- Stainless Steel available
- Surge protection optional for 5K-100Klb

### OPTIONAL FEATURES

- FM approval available
- LCD-TT/M/MH with different loading holes

### DESCRIPTION

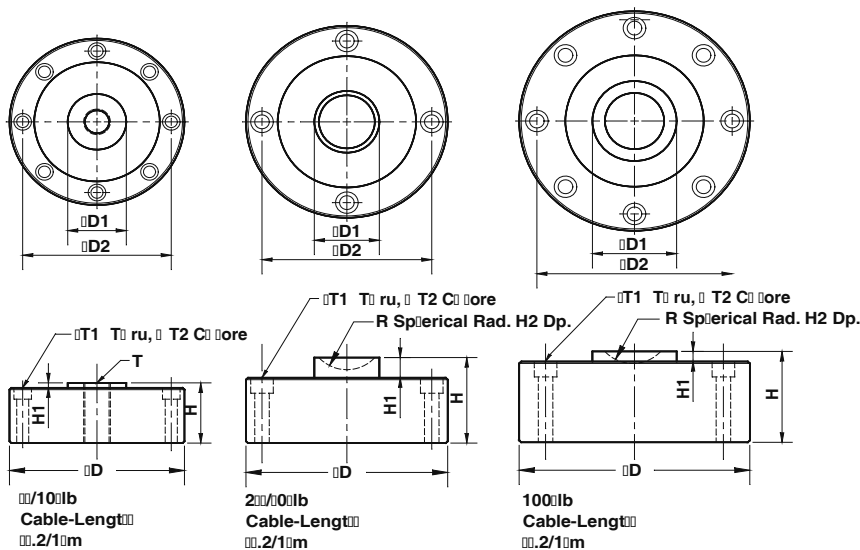
The low profile compression disk is designed as the ultimate solution for some difficult applications with critical height for safety reasons. The shear web design provides excellent performance even when the side force inevitably exists in normal operations. The typical example for side force resistance is the applications in motor truck scales.

LCD is constructed of alloy steel and fully potted with special chemical compounds to IP67 providing excellent protection against moisture and humidity.

### APPLICATIONS

- Truck/Rail scales
- Silo/Hopper/Tank weighing
- Universal Material Tester
- Tensile/Pulling Force Measurement

### OUTLINE DIMENSIONS



#### Wiring diagram

- + Excitation Red
- Excitation Black
- + Signal Green
- Signal White

CAPACITY		D	D1	D2	H	H1	H2	R	T	T1	T2
5K/10Klb	mm	104.7	32.0	88.9	34.8	3.05	----	----	5/8-18UNF	7.2	10.5 x 7.2DP
	(inch)	4.12	1.26	3.50	1.37	0.12	----	----	----	0.28	0.41 x 0.28DP
25K/50Klb	mm	120.7	38.9	101.6	53.8	12.7	7.6	22.2	----	8.7	13.5 x 9.7DP
	(inch)	4.75	1.53	4.00	2.12	0.50	0.30	0.87	----	0.34	0.53 x 0.38DP
100Klb	mm	138	50.4	116.8	57.2	6.4	7.6	22.2	----	10.13	16.5 x 11.0DP
	(inch)	5.43	1.98	4.60	2.25	0.25	0.30	0.87	----	0.41	0.65 x 0.43DP

## SPECIFICATIONS

PARAMETER	VALUE	UNIT
NTEP/OIML Accuracy class	Non-Approved	
Maximum no. of intervals (n)	2000	
$Y = E_{max}/V_{min}$	5000	Maximum available
Standard capacities ( $E_{max}$ )	5K, 10K, 25K, 50K, 100K	lbs
Rated output-R.O.	4.0	mV/V
Rated output tolerance	0.25	±% of rated output
Zero balance	1	±% of rated output
Non linearity	0.050	±% of rated output
Hysteresis	0.050	±% of rated output
Non-repeatability	0.020	±% of rated output
Creep error (20 minutes)	0.030	±% of rated output
Zero return (20 minutes)	0.030	±% of rated output
Temperature effect on min. dead load output	0.0026	±% of rated output/°C
Temperature effect on sensitivity	0.0015	±% of applied load/°C
Compensated temperature range	-10 to +40	°C
Operating temperature range	-20 to +60	°C
Safe overload	150	% of R.C.
Ultimate overload	300	% of R.C.
Excitation, recommended	10	Vdc or Vac rms
Excitation, maximum	15	Vdc or Vac rms
Input impedance	385±5*	Ohms
Output impedance	350±3**	Ohms
Insulation resistance	>5000	Mega-Ohms
Construction	Nickel plated alloy steel	
Environmental protection	IP67	

\* 770±10 Ohms for 100Klbs.

\*\* 700±5 Ohms for 100Klbs.

All specifications listed subject to change without notice.

### FM Approval

Intrinsically Safe: Class I, II, III; Div. 1 Groups A-G

Non-Incendive: Class I; Div. 2 Groups A-D