

Precision Shear Web Disk

FEATURES

- Capacities: 0.2, 0.5, 1, 1.5, 2.5, 5, 10, and 25 tons
- Compact size with low profile
- Low deflection for high output
- Electroless nickel-plated alloy tool steel construction
- Off center load compensated
- OIML C3 available for whole series
- **Optional**
 - PSD-SJTT and PSD-SJTH with different loading holes



APPLICATIONS

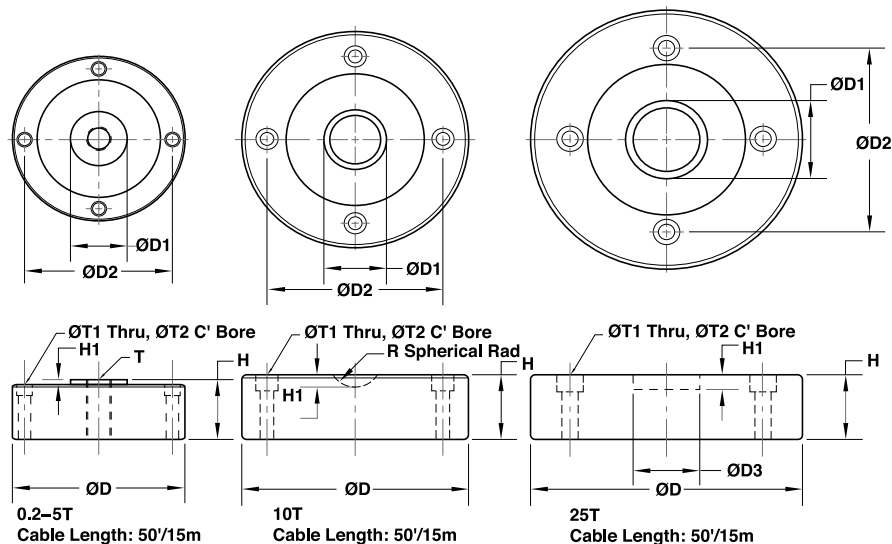
- Testing machines
- Platform scales
- Hopper and vessel weighing
- Truck scales

DESCRIPTION

A low profile design that makes PSD the most suitable application concerning critical height for safety reasons. The shear web design provides excellent performance

even when side forces are inevitable in normal operations. The typical example for side force resistance is the application in motor truck scales. PSD is constructed of alloy steel and is fully potted with special chemical compounds to IP67 to protect the cell from water and moisture attack.

OUTLINE DIMENSIONS



CAPACITY		D	D ₁	D ₂	D ₃	H	H ₁	R	T	T ₁	T ₂
0.2T/5T	mm	104.7	32.0	88.9	----	34.8	3.05	----	M16 x 1.5	7.2	10.5 x 7.2DP
	(inch)	4.12	1.26	3.50	----	1.37	0.12	----		0.28	0.41 x 0.28DP
10T	mm	138.0	38.9	106.4	----	41.1	7.62	22.2	----	8.7	13.5 x 9.7DP
	(inch)	5.43	1.53	4.19	----	1.62	0.30	0.87	----	0.34	10.5 x 7.2DP
25T	mm	165.0	50.4	116.8	42.0	41.1	8.0	----	----	10.3	15.9 x 10.2DP
	(inch)	6.50	1.98	4.60	1.65	1.62	0.31	----	----	0.41	0.63 x 0.40DP

Precision Shear Web Disk

SPECIFICATIONS			
PARAMETER	VALUE		UNIT
NTEP/OIML accuracy class	C3	Non-Approved	
Maximum no. of intervals (n)	3000	1000	
$Y = E_{max}/V_{min}$	8000	5000	Maximum available
Standard capacities (E_{max})	200, 500, 1000, 1500, 2500, 5000, 10000, 25000		kg
Rated output—R.O.	3.0**		mV/V
Rated output tolerance	0.25		±% of rated output
Zero balance	1		±% of rated output
Non-linearity	0.025		±% of rated output
Hysteresis	0.025		±% of rated output
Non-repeatability	0.020		±% of rated output
Creep error (20 minutes)	0.030		±% of rated output
Zero return (20 minutes)	0.030		±% of rated output
Temperature effect on min. dead load output	0.0017	0.0026	±% of rated output/°C
Temperature effect on sensitivity	0.0010	0.0015	±% of applied load/°C
Compensated temperature range	-10 to +40		°C
Operating temperature range	-20 to +60		°C
Safe overload	150		% of R.C.
Ultimate overload	300		% of R.C.
Excitation, recommended	10		VDC or VAC RMS
Excitation, maximum	15		VDC or VAC RMS
Input impedance	385±5		Ω
Output impedance	350±3		Ω
Insulation resistance	>5000		MΩ
Construction	Nickel-plated alloy steel*		
Environmental protection	IP67		

* 200 kg is made of aluminum.

** 200 kg is 2 mV/V.

All specifications subject to change without notice.

Disclaimer

ALL PRODUCTS, PRODUCT SPECIFICATIONS AND DATA ARE SUBJECT TO CHANGE WITHOUT NOTICE.

Vishay Precision Group, Inc., its affiliates, agents, and employees, and all persons acting on its or their behalf (collectively, "Vishay Precision Group"), disclaim any and all liability for any errors, inaccuracies or incompleteness contained herein or in any other disclosure relating to any product.

The product specifications do not expand or otherwise modify Vishay Precision Group's terms and conditions of purchase, including but not limited to, the warranty expressed therein.

Vishay Precision Group makes no warranty, representation or guarantee other than as set forth in the terms and conditions of purchase. **To the maximum extent permitted by applicable law, Vishay Precision Group disclaims (i) any and all liability arising out of the application or use of any product, (ii) any and all liability, including without limitation special, consequential or incidental damages, and (iii) any and all implied warranties, including warranties of fitness for particular purpose, non-infringement and merchantability.**

Information provided in datasheets and/or specifications may vary from actual results in different applications and performance may vary over time. Statements regarding the suitability of products for certain types of applications are based on Vishay Precision Group's knowledge of typical requirements that are often placed on Vishay Precision Group products. It is the customer's responsibility to validate that a particular product with the properties described in the product specification is suitable for use in a particular application.

No license, express, implied, or otherwise, to any intellectual property rights is granted by this document, or by any conduct of Vishay Precision Group.

The products shown herein are not designed for use in life-saving or life-sustaining applications unless otherwise expressly indicated. Customers using or selling Vishay Precision Group products not expressly indicated for use in such applications do so entirely at their own risk and agree to fully indemnify Vishay Precision Group for any damages arising or resulting from such use or sale. Please contact authorized Vishay Precision Group personnel to obtain written terms and conditions regarding products designed for such applications.

Product names and markings noted herein may be trademarks of their respective owners.